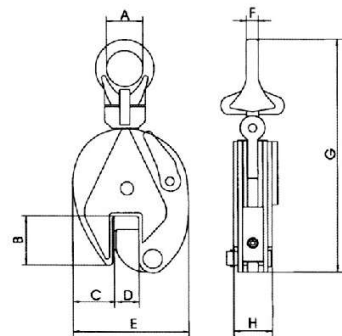


UNIVERSAL CLAMP & DRUM LIFTER

Universal Clamp U



Model No.		U05	U10	U20	U30	U50
Capacity	(tonnes)	0.5	1	2	3	5
Grab opening	(mm)	15	20	25	30	50
Dimensions (mm)	A	30	48	68	74	80
	B	43	63	76	85	90
	C	34.5	51	56	59	65
	D	0-17	0-22	0-27	0-32	0-52
	E	103	138	164	193	240
	F	10	12	16	20	22
	G	212	294	370	418	450
	H	36	50	52	78	88
Net Weight	(kg)	2.0	4.8	6.5	15.0	23.0

Drum Lifter



Model No.		DL10
Capacity	(tonnes)	1
Proof Load	(tonnes)	2
Net Weight	(kg)	3.6