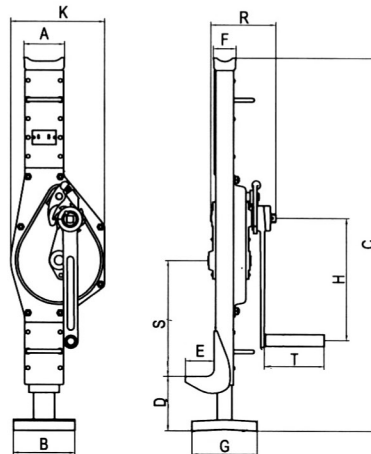


MECHANICAL JACK MC

VITALI-INTL®



Model No.		MC015	MC030	MC050	MC100	MC160	MC200	MC250
Capacity	(tonnes)	1.5	3	5	10	16	20	25
Proof Load	(tonnes)	2.25	4.5	7.5	15	24	30	37.5
Pull to Rated load	(N)	190	196	235	431	580	650	750
Dimensions (mm)	A	77	83	105	120	153	153	153
	B	100	130	145	145	150	150	198
	C	605 - 905	715 - 1,085	730 - 1,080	795 - 1,160	820 - 1,140	865 - 1,180	950 - 1,360
	D	55 - 355	60 - 430	70 - 420	83 - 448	135 - 455	125 - 440	110 - 520
	E	55	60	70	80	85	85	85
	F	40	45	68	73	90	90	90
	G	110	135	170	170	182	182	230
	H	225	285	285	330	360	360	360
	K	121	200	190	252	275	275	388
	R	119	140	155	185	210	224	200
Net Weight	S	185	230	220	220	202	202	205
	T	126	126	126	255	255	255	255
	(kg)	10.7	21.3	27	47	64.5	72	93