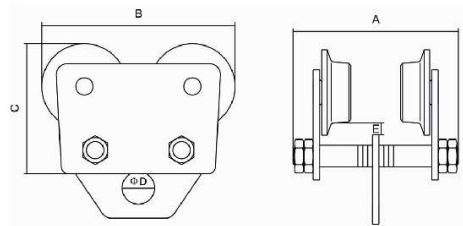


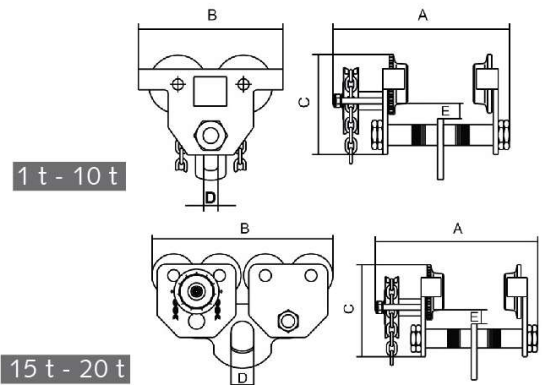
PLAIN TROLLEY KWD-II GEARED TROLLEY KWD-III

Plain Trolley KWD-II



Model No.		KWD005A	KWD010A	KWD020A	KWD030A	KWD050A	KWD100A
Capacity	(t)	0.5	1	2	3	5	10
Proof Load	(t)	0.75	1.5	3	4.5	7.5	15
I-Beam Width	(mm)	75-125	75-125	100-150	100-150	125-175	125-210
	A	195	207	240	260	306	375
Dimensions (mm)	B	179	206	233	276	304	389
	C	120.5	145	176	207	237	306.5
	D	30	36	42	58	64	80
	E	10.5	20.2	28.5	27.5	32	38
Min. Radius Curve	(m)	0.9	1	1.1	1.3	1.4	1.7
Net Weight	(kg)	5.8	8	14.6	24.2	38.4	78

Geared Trolley KWD-III



Model No.		KWD010B	KWD020B	KWD030B	KWD050B	KWD100B
Capacity	(t)	1	2	3	5	10
Proof Load	(t)	1.5	3	4.5	7.5	15
I-Beam Width	(mm)	75-125	100-150	100-150	125-175	125-210
	A	255.5	290.5	309	353	426.5
Dimensions (mm)	B	206	233	276	304	389
	C	145	176	207	237	306.5
	D	36	42	58	64	80
	E	20.2	28.5	27.5	32	38
Min. Radius Curve	(m)	1	1.1	1.3	1.4	1.7
Net Weight	(kg)	12.2	18.8	28.9	43.4	83